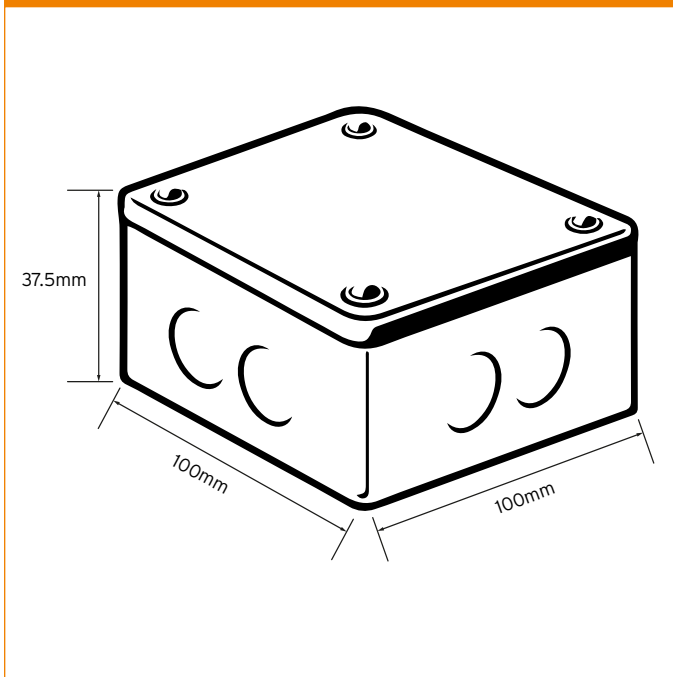




ABG441

Adaptable Box

Technical Drawing



Technical Specifications

Finish	Galv
Material	Steel
Type	With knock outs
Knock Out Size	12 x M20
Standard of Compliance	BS 4568
Dimensions	100 x 100 x 37.5(L x W x D)