

niglon

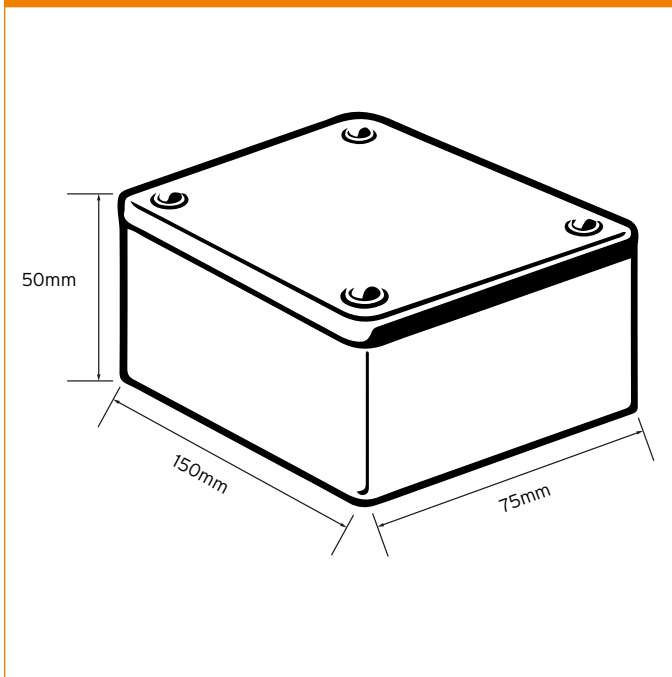
Cable Management



ABG632P

Adaptable Box

Technical Drawing



Technical Specifications

Finish	Galvanised
Material	Steel
Type	Without knockouts
Standard of Compliance	BS 4568
Sealing	Four Screws in Lid
Dimensions	150 x 75 x 50mm (L x W x D)