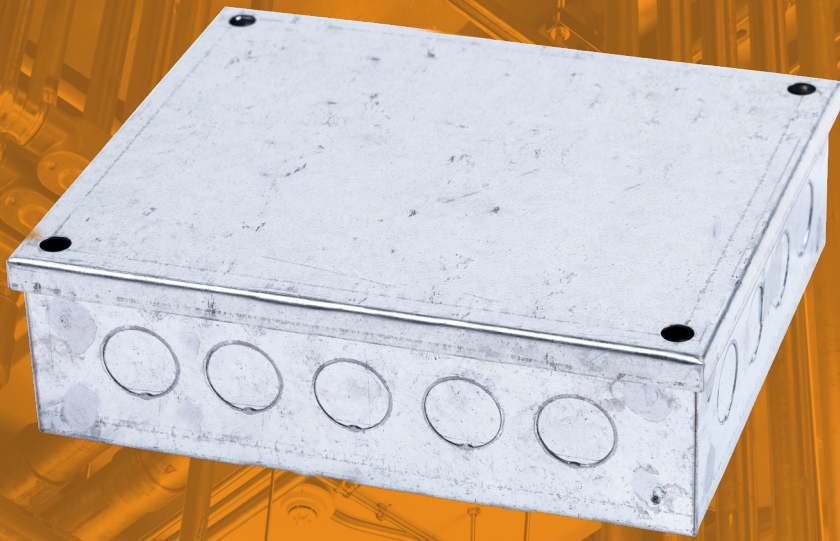


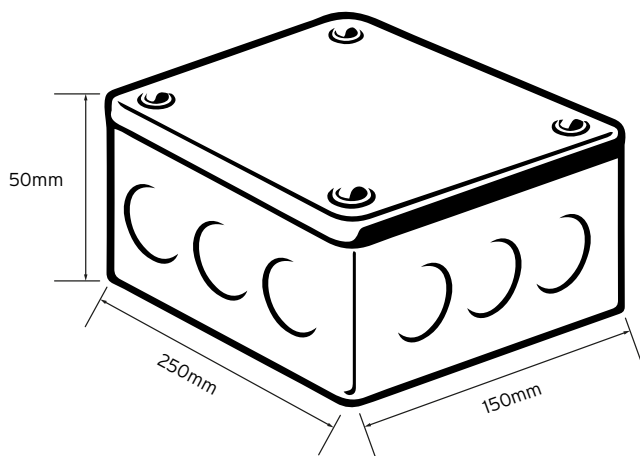
niGLON

Cable Management

ABG962 Adaptable Box



Technical Drawing



Technical Specifications

Finish	Galvanised
Material	Steel
Type	With knockouts
Standard of Compliance	BS 4568
Sealing	Four Screws in Lid
Dimensions	225 x 150 x 50mm (L x W x D)