

ENCLOSED SWITCHGEAR

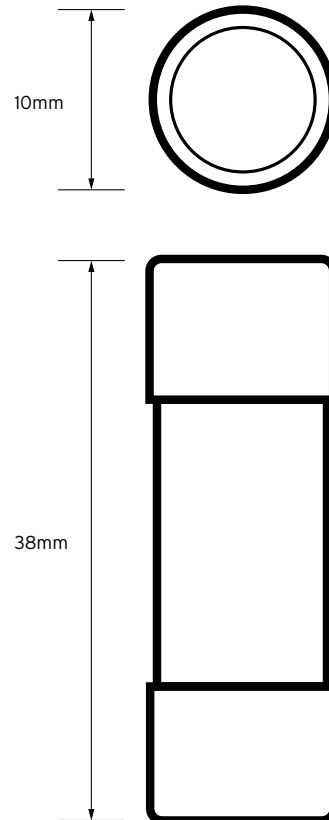
CYLINDRICAL FUSES // STANDARD GL G1038-20



Enclosure Characteristics

Standards	IEC 60269-1 & -2
Body Material	Ceramic
Characteristic	gG
Amp	20A
Rated Voltage / Breaking Capacity	500V / 120kA
Fuse Switch Size	20 - 32
Dimensions	Ø 10 x 38mm

Technical Drawing



Additional Information

This product is for use by skilled persons or instructed persons. The installation of this product must comply with current IEE regulations. The IP rating of the unit can be compromised if the correct use of glands is not followed. Terminals, including those factory fitted, must be checked for correct tightness before commissioning. All terminals should be periodically checked for correct tightness. The data herein serves only to describe the product and should not be regarded as representing guaranteed properties in the legal sense. We reserve the rights of modification whilst every care has been taken in ensuring the accuracy of this catalogue, the Supplier accepts no liability whatsoever for any eventuality arising from errors or omissions within its catalogues, brochures or within any online presence.