

niglon

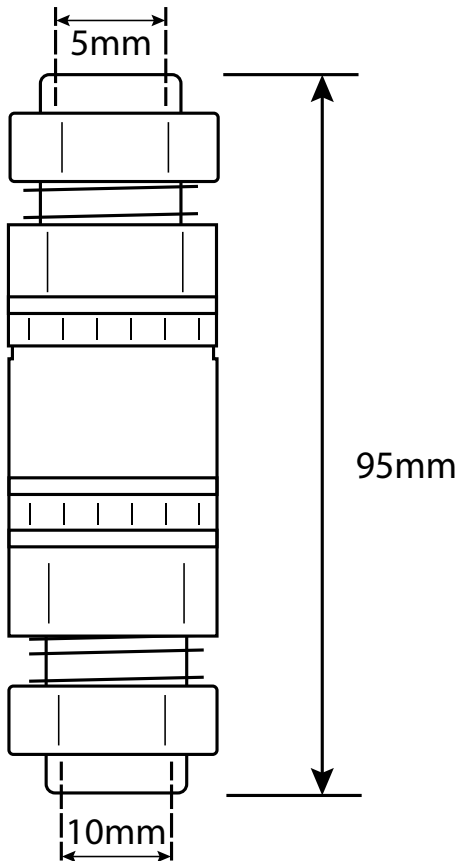
Wiring Accessories



JOW4PIN

450V Water Proof In-line Cable Connector

Technical Drawing



Technical Specifications

Terminal	4 pole pin & socket, fast fit
Amps Max.	16A
Cable O/D Min-Max	5 - 10mm
IP Rating	IP68 (3 bar)
Plastic Housing	PA66, V-O, 960°C, PTI:250
Barometric Pressure	86 to 106KPa
Metal Parts	Cu, silver plated
Operating Temperature	-35°C to 105°C
Standard of Compliance	IEC60998-2:1:2004, IEC62444:2013, IEC60529:1991+A1:2000 +A2:2013, CE, Rohs