

niglon

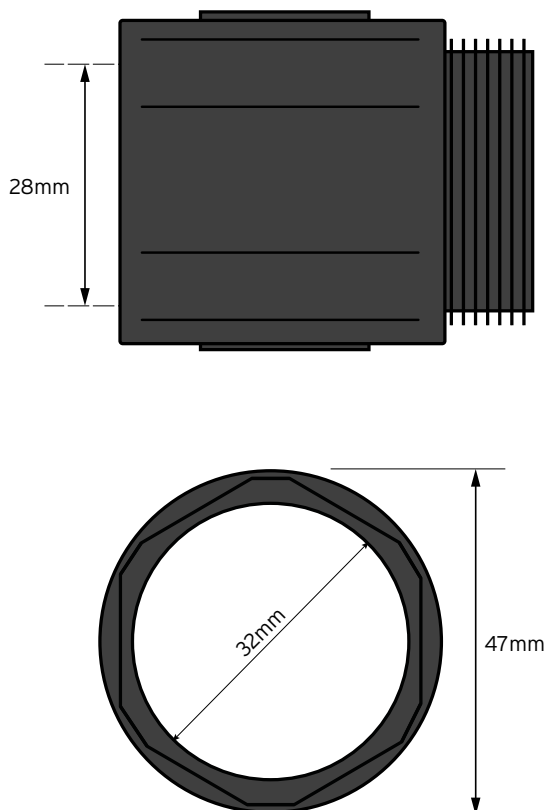
Cable Management

KCPG32B

Male Fixed 1 pt. Straight Connector



Technical Drawing



Technical Specifications

| | |
|--|----------|
| Trade Size | 32 |
| Outer Diameter | 32mm |
| Inner Diameter | 28mm |
| Thread Size | M32 |
| Min Temp. Installation and application range | -5°C |
| Max Temp. Installation and application range | +90°C |
| IP Rating | IP40 |
| Lock nut included | M32 |
| Material | Poly/PVC |

Application

General use building, industrial where Limited mechanical protection is required