

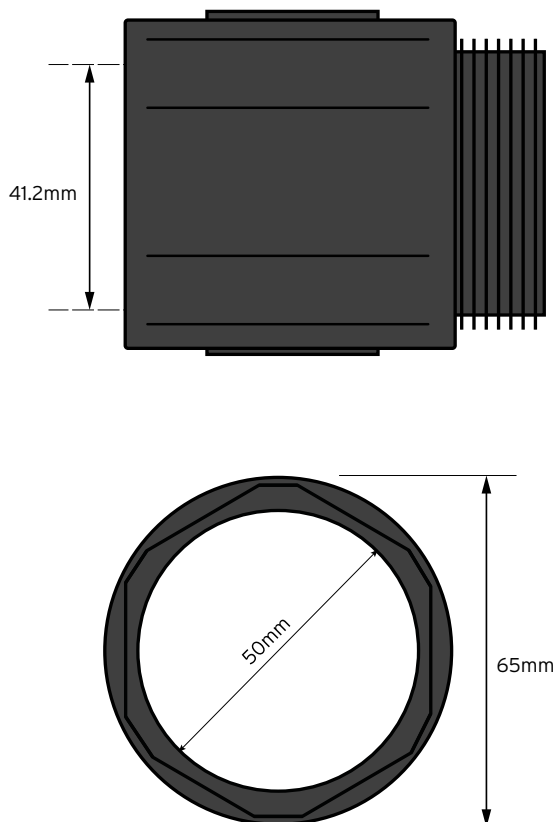
niglon

Cable Management

KCPG50B Male Fixed 1 pt. Straight Connector



Technical Drawing



Technical Specifications

| | |
|--|-----------|
| Trade Size | 50 |
| Outer Diameter | 50mm |
| Inner Diameter | 41.2mm |
| Thread Size | M50 |
| Min Temp. Installation and application range | -5°C |
| Max Temp. Installation and application range | +90°C |
| IP Rating | IP40 |
| Lock nut included | M50 x 1.5 |
| Material | Poly/PVC |

Application

General use building, industrial where Limited mechanical protection is required