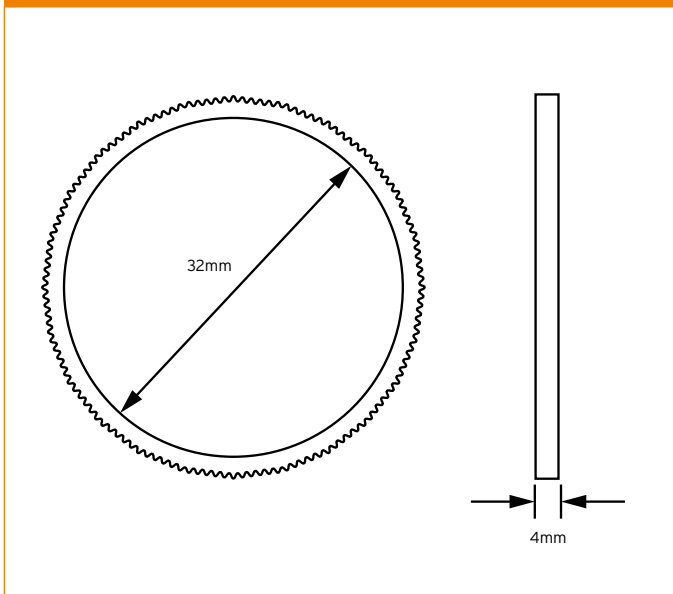


LRS32G Milled Edge Lockrings

Technical Drawing



Technical Specifications

Standard of Compliance	BS 4568 & BS31
Material	Steel
Finish	'BZP' (Bright Zinc Plate).
Size	32mm