

# niglon

Wiring Accessories

EURO  
MEDIA

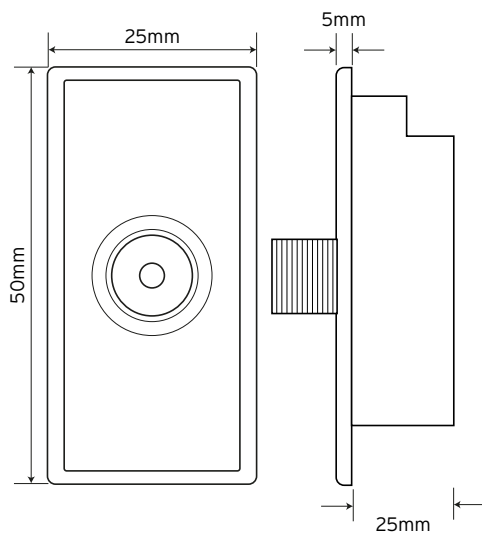
## M-013-G

### Satellite "F" connector



20  
YEAR  
GUARANTEE

#### Technical Drawing



#### Technical Specifications

<b>Front Plate</b>	Module : Polycarbonate
<b>Connection Type</b>	Screw terminal with shielded cage
<b>Back Box Depth</b>	25 - 47mm ( Dependant on Mounting Plate Used)
<b>Module Size</b>	Single Width (25x50mm)
<b>IP Rating</b>	IP20
<b>Operational Temperature</b>	-5° to + 40° c
<b>Standards</b>	BS 3041-7:1996 BS 5733:1995