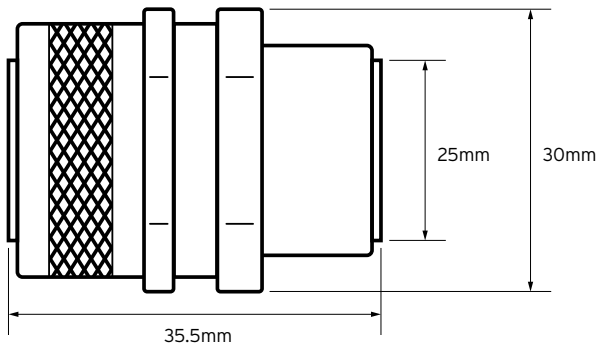




MFG2525

Male Fixed Straight Connector - Brass

Technical Drawing



Technical Specifications

| | |
|-------------------------------|-----------------|
| Thread Diameter | 25mm |
| Temperature | -50°C to +300°C |
| Standard of Compliance | EN 61386 |
| Material | Brass |
| IP Rating | IP54 |
| Dimensions | 35.5 x 30mm Ø |

Features

- High tensile strength
- Oil resistant
- Corrosion resistant
- Inherently low fire hazard
- Can be used with threaded entries or knockouts
- Secured with a locknut