

# niglon

## General Lighting

# NODR360

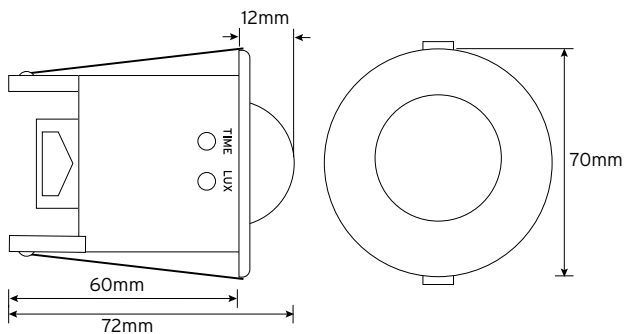
## Occupancy PIR

### Detector

#### Surface Mounting



### Technical Drawing



### Technical Specifications

<b>Power Source</b>	220 - 240V/AC
<b>Power Frequency</b>	50/60 Hz
<b>Ambient Light</b>	<3-2000LUX (Adjustable)
<b>Time Delay</b>	Min. 10 ± sec 3 sec Max. 15 min ± 2min
<b>Rated Load</b>	Max 1200W Resistive 300W Inductive
<b>Detection Range</b>	360°
<b>Detection Distance</b>	6m max (<24°)
<b>Working Temperature</b>	-20 ~ +40°
<b>Working Humidity</b>	<93%RH
<b>Power Consumption</b>	Approx 0.5W
<b>Installation Height</b>	2.2 - 4m
<b>Detection Moving Speed</b>	0.6 - 1.5m/s
<b>Standard of Compliance</b>	IP20, CE,
<b>Cut-out</b>	65mm dia.
<b>Dimensions</b>	72 x 70 x 72mm (H x W x D)