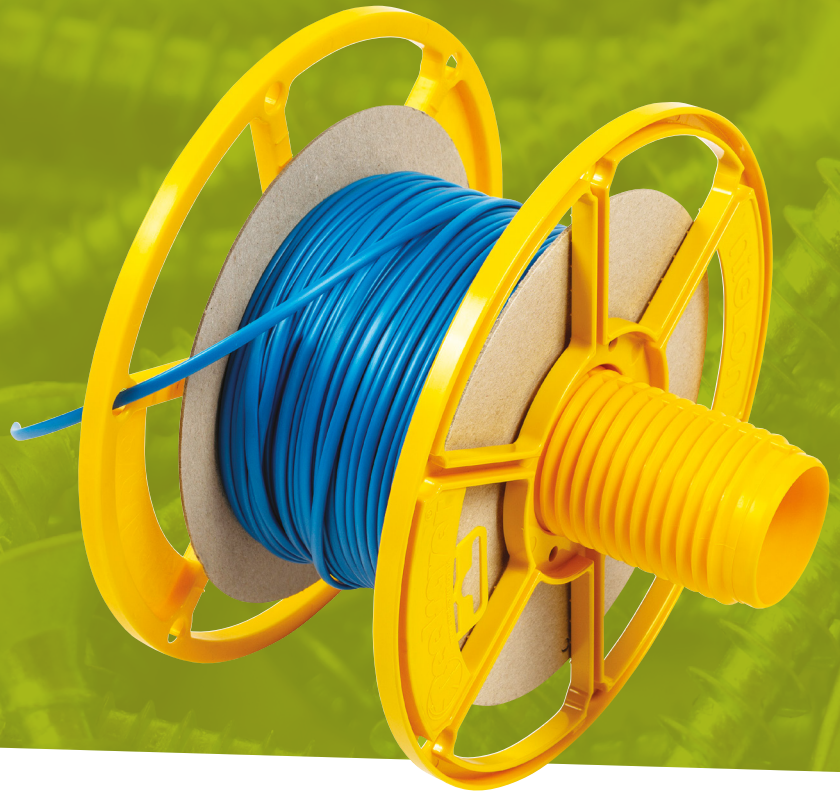


niglon

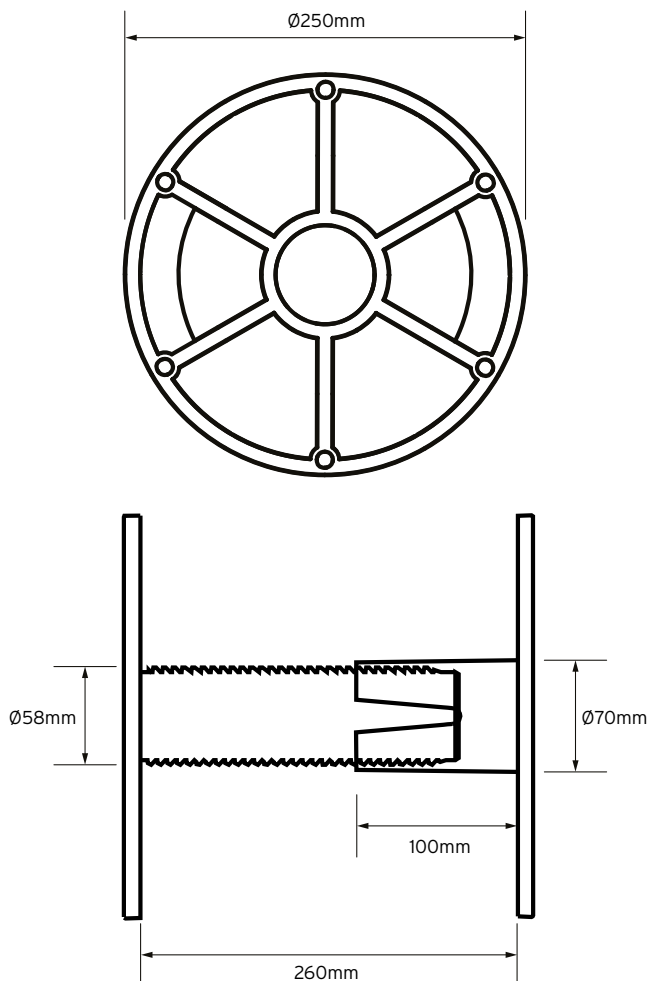
Fixings & Tools

NRSY

Reelsaver



Technical Drawing



Conceived and developed out of the necessity to stop wasting time and money caused by damaged cable drums. The reelsaver is manufactured from fully recyclable ABS and polycarbonate materials.

Technical Specifications

Material	ABS
Minimum Reel Width	100mm
Maximum Reel Width	260mm
Weight	442g
Dimensions	Ø 250mm x 100 to 260mm W