

niglon

Wiring Accessories

ULTIMA[★]

U-SP6FAN-BC

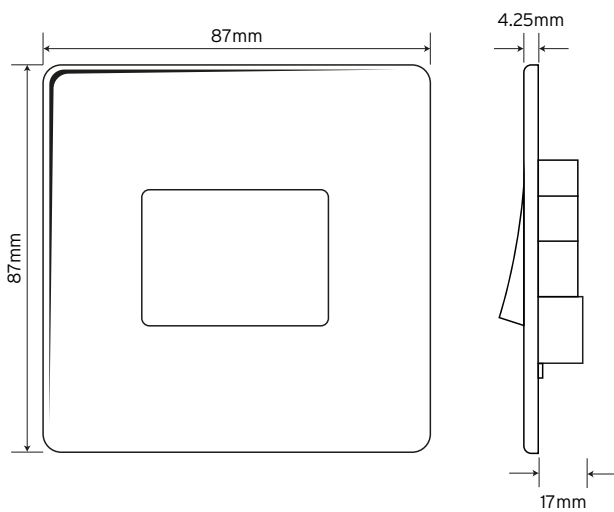
10AX 3 Pole Fan Isolator



20
YEAR
GUARANTEE

Niglon's flagship range, manufactured from screwless stainless steel faceplates, with a luxurious brushed chrome finish.

Technical Drawing



Technical Specifications

Material Composition:

Front Plate	Stainless Steel
Rear Housing	Urea
Terminals	Brass
Earth Strap	Mild Steel
Terminal Screws	Steel & Yellow Passivated Silver "on-lay" Copper/Brass Contacts
Voltage	240V ~ 50Hz
Current Rating	10A
Terminal Size	3.5mm Ø
Torque Value	0.4Nm
Cable Size	1 x 2.5mm ² , 2 x 1.5mm ²
Back Box Depth	16mm
Modular	Yes
Warranty	20 years
IP Rating	IP20
Operational Temperature	-5° to +40°C
Standards	The Low Voltage Directive 2006/95/EC BS EN 60669-1:1999 + A1:2002 + A2:2008 Modified ISO 22196