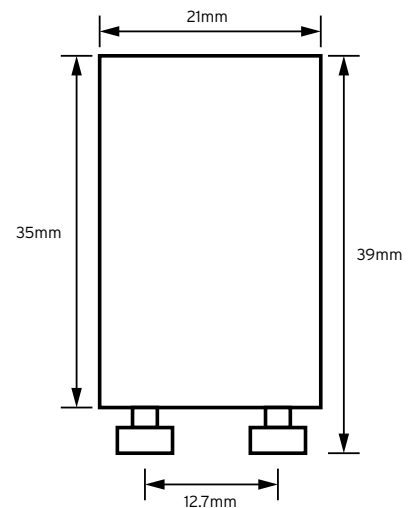




GE22 GE65 GE125 Fluorescent Starter Switches

Technical Drawing



Technical Specifications

Specifications	GE22	GE65	GE125
Power Range	4-22W	4-65W	70-125W
Voltage Rating	110V or 220/240V	220/240V	220/240V
Operating Temp	0 - 55°	0 - 55°	0 - 55°
Certifications			
Standards of Compliance	BS EN60155:1996, IEC60155:1993	BS EN60155:1996, IEC60155:1993	BS EN60155:1996, IEC60155:1993