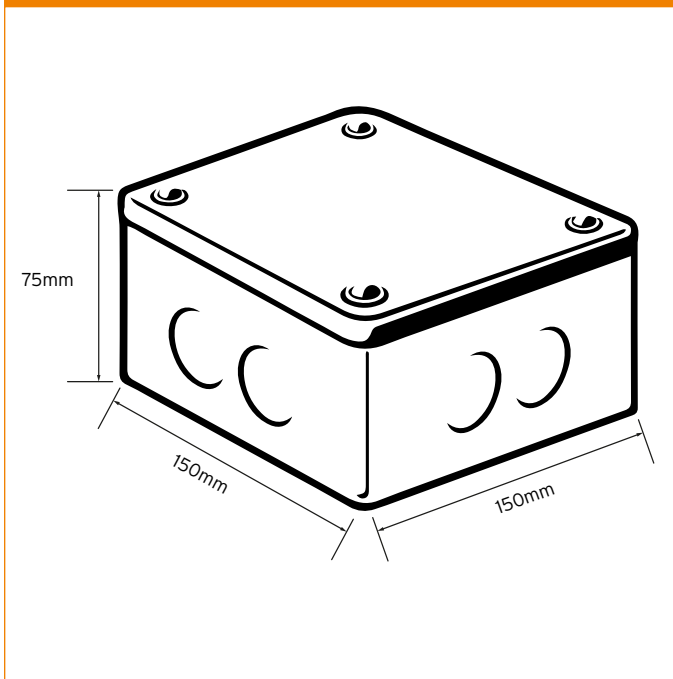




ABG663

Adaptable Box

Technical Drawing



Technical Specifications

Finish	Galvanised
Material	Steel
Type	With knock outs
Knock out Size	16 x M20
IP Rating	IP54 (when used with rubber seal)
Standard of Compliance	BS4568, IEC 60670-1 (where applicable)
Dimensions	150 x 150 x 75 (L x W x D)