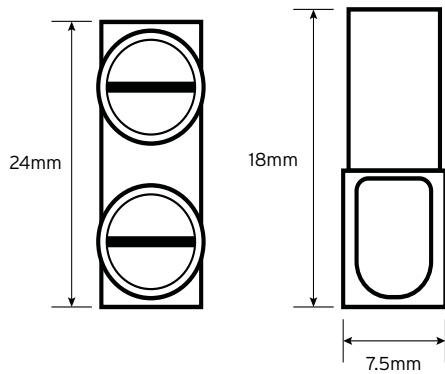


BS15 12 Way Strips Nylon-PA

Technical Drawing



Technical Specifications

Rated insulation voltage	450V
Rated current	15A
Max cable	10mm ²
Min cable capacity	2.5mm ²
Screw terminals	Screw Connection
Self extinguishing	BS EN60998-1, UL94-V0
Number of poles	1 - 12
Ambient temperature	T150
Screw diameter	3.4mm
Material of insulation	PA66
Size (One way)	12mm High x 7.5mm Wide x 20mm Deep
Certification	