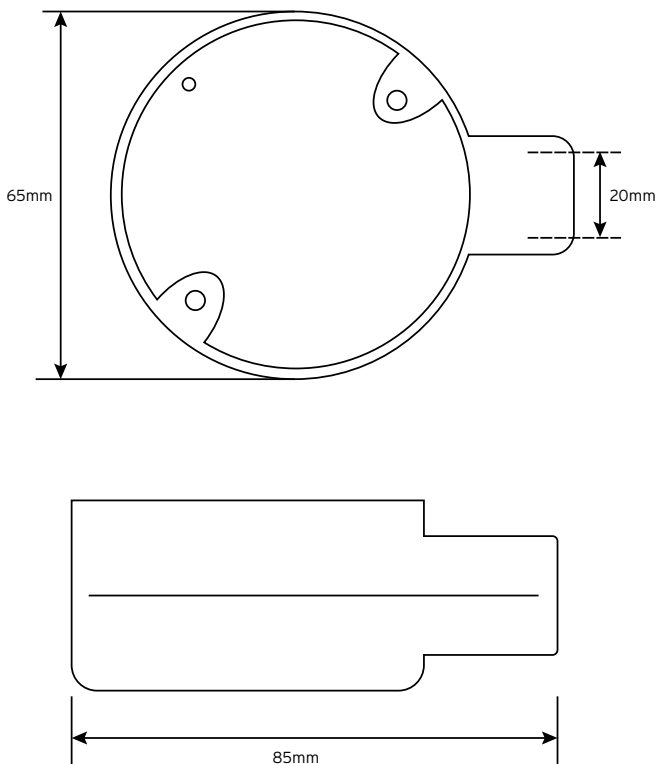




CB120G Malleable Conduit Boxes

Technical Drawing



Technical Specifications

Type	1 Way, Terminal
Size	20mm
Finish	Galv.
Standards	BS EN 61386-1 2008
Size	Ø 65mm x 85mm L
Material	Malleable Iron