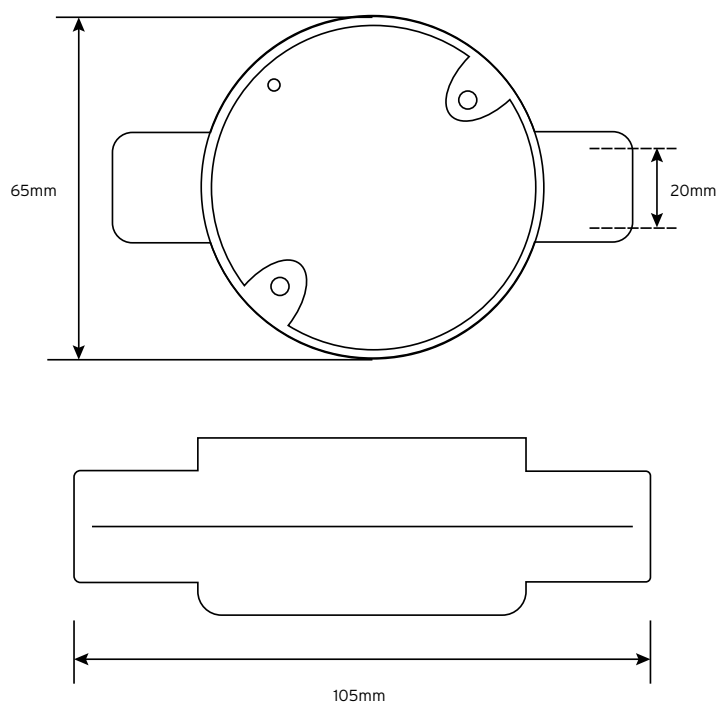


CB220G Malleable Conduit Boxes



Technical Drawing



Technical Specifications

Type	2 Way, Through
Size	20mm
Finish	Galv.
Standards	BS EN 61386-1:2008 & BS4568
Size	Ø 65mm x 105mm L
Material	Malleable Iron