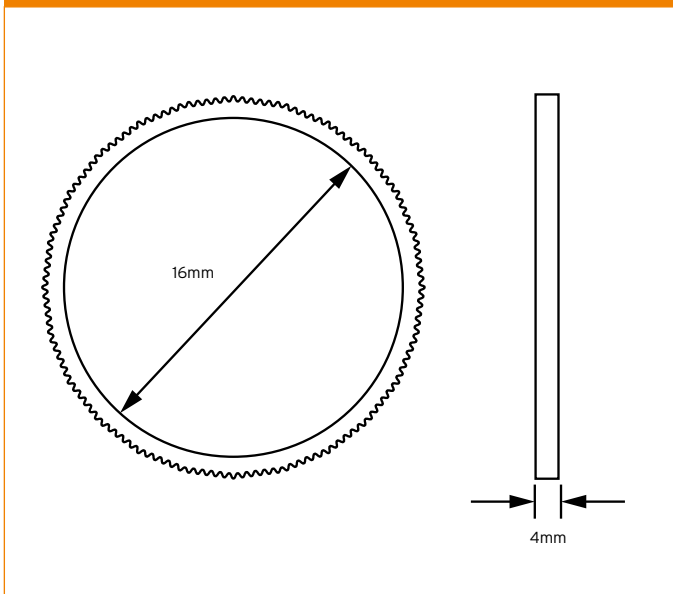


# LRS16G Milled Edge Lockrings

### Technical Drawing



### Technical Specifications

<b>Standard of Compliance</b>	BE EN 61386-1:2008
<b>Material</b>	Steel
<b>Finish</b>	'BZP' (Bright Zinc Plate).
<b>Size</b>	16mm