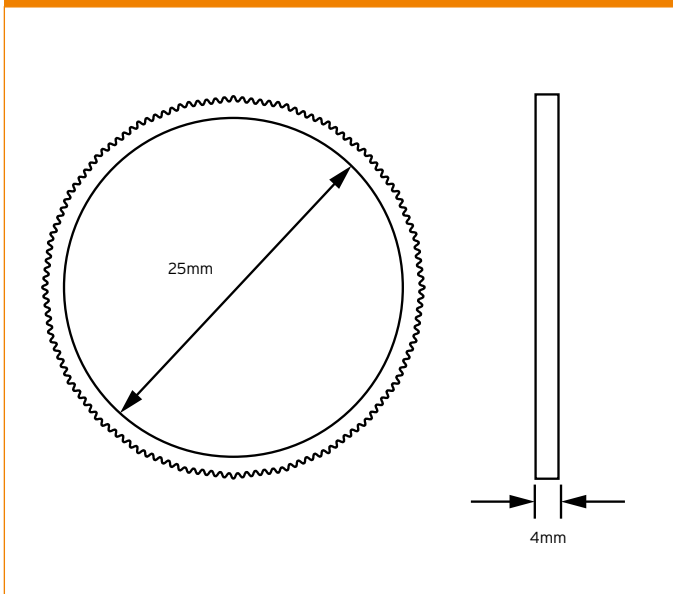


LRS25G Milled Edge Lockrings

Technical Drawing



Technical Specifications

Standard of Compliance	BE EN 61386-1:2008
Material	Steel
Finish	'BZP' (Bright Zinc Plate).
Size	25mm