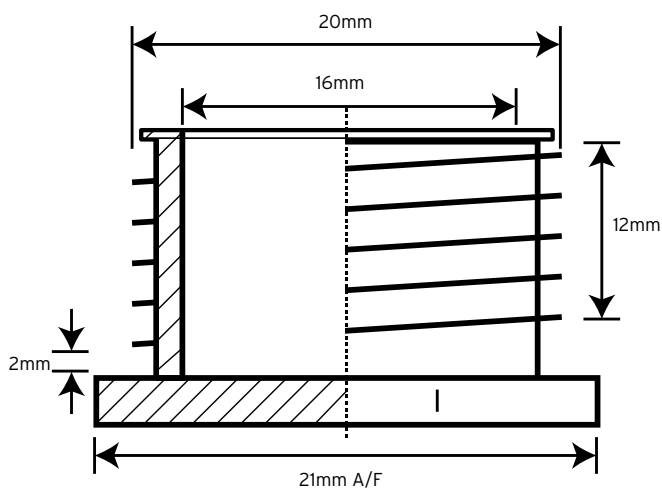


ML20

Male Bushes

Male Bushes - Long Pattern/
B.E.S.A Pattern

Technical Drawing



Technical Specifications

Material	Brass
Thread length	14mm
Un-threaded space	2mm between the head and the thread
Size	20mm
Standards	BS EN 61386-1:2008