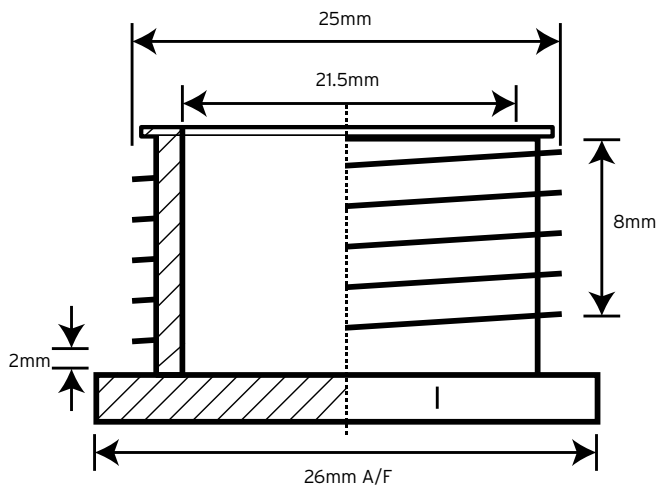


MS25 Male Bushes Short Pattern/Light Pattern

Technical Drawing



Technical Specifications

Material	Brass
Thread length	8 mm
Un-threaded space	2mm between the head and the thread
Size	25mm
Standards	BS EN 61386-1:2008