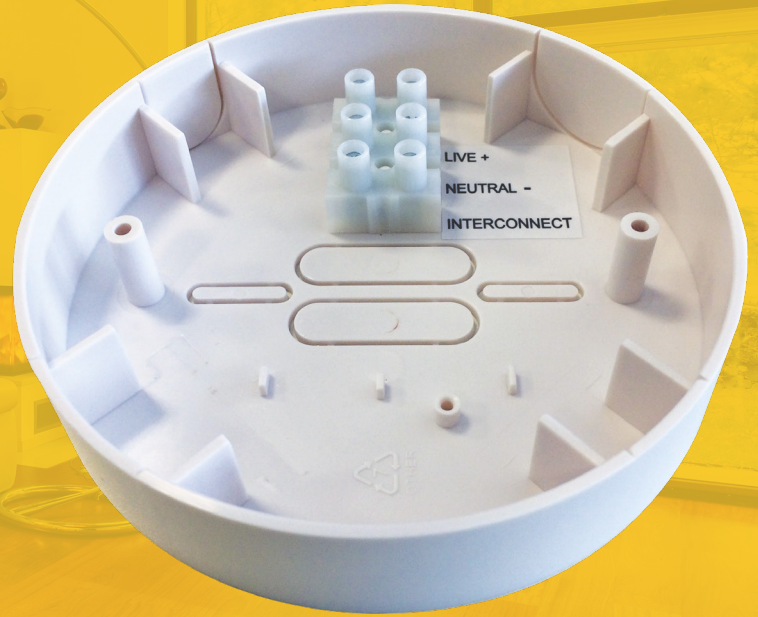


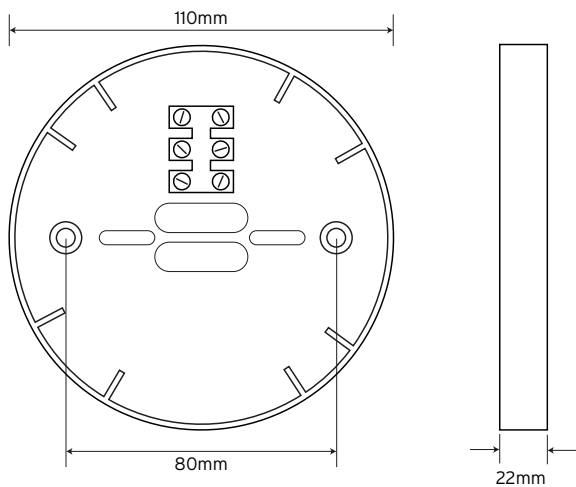
PA1

Accessory Pattress for NFA01 & NFA03



This pattress box is an accessory only with smoke alarm NFA01 or heat alarm NFA03 and is used to activate auxiliary devices. All devices to be activated must be 220~240V, 50Hz or 60V DC 3 Amps maximum.

Technical Drawing



Technical Specifications

Material Composition:	Urea
Power Source	AC230V 50Hz 40mA DC9V+/-5%
Dimensions	110mm (D) x 22mm (H)
Knock-out	2 x 20mm, 2 x 28mm
Standards	BS EN14604, 50130-4 & 61000-6-3 where applicable

Main Features

- Easy open & close
- Knock-outs provide flexibility of cable entry
- Easy installation
- Robust ABS design
- Supplied with wall plugs & screws