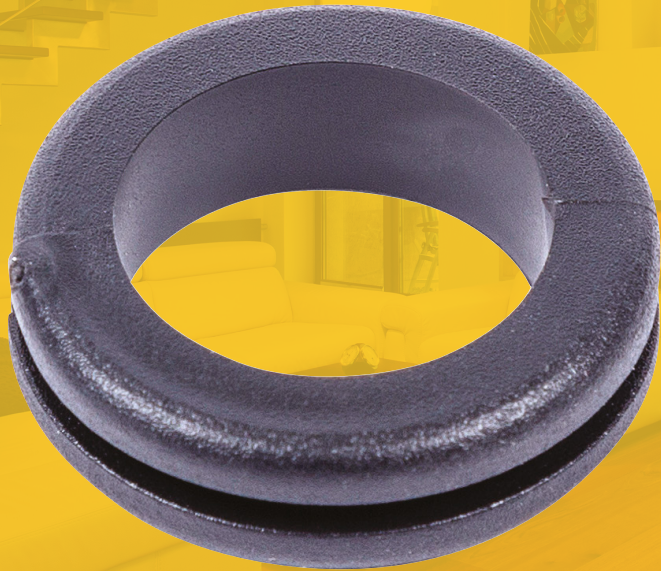


# niGLON

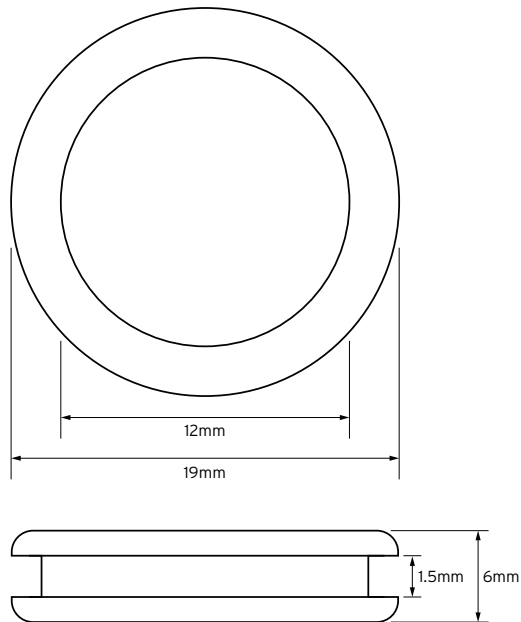
## Installation Essentials



# PG016

## 16mm Open PVC Grommet

### Technical Drawing



### Technical Specifications

<b>Colour</b>	Black
<b>Diameter</b>	16mm
<b>Guarantee</b>	1 year
<b>Material</b>	Flexible PVC
<b>Suitable For</b>	Blanking holes in panels
<b>Weight</b>	0.00200kg