

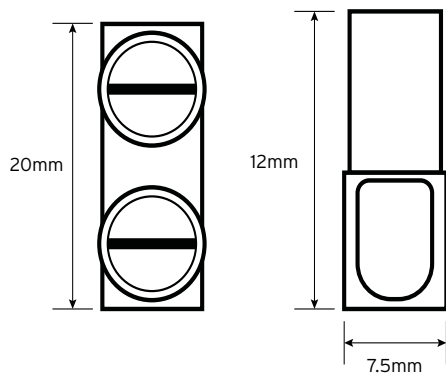
# niGLON

## Installation Essentials



## PN2 12 Way Strips Nylon-PA

### Technical Drawing



### Technical Specifications

<b>Rated insulation voltage</b>	450V
<b>Rated current</b>	322 <sup>1</sup> A
<b>Rated connecting capacity</b>	4.0mm <sup>2</sup>
<b>Smallest cross-sectional area</b>	10.5mm <sup>2</sup>
<b>Screw terminals</b>	Screw Connection
<b>Self extinguishing</b>	BS EN60998-1
<b>Number of poles</b>	2 - 12
<b>Ambient temperature</b>	T80
<b>Screw diameter</b>	2.5mm
<b>Material of insulation</b>	PA66
<b>Size (One way)</b>	12mm High x 7.5mm Wide x 20mm Deep
<b>Certification</b>	