

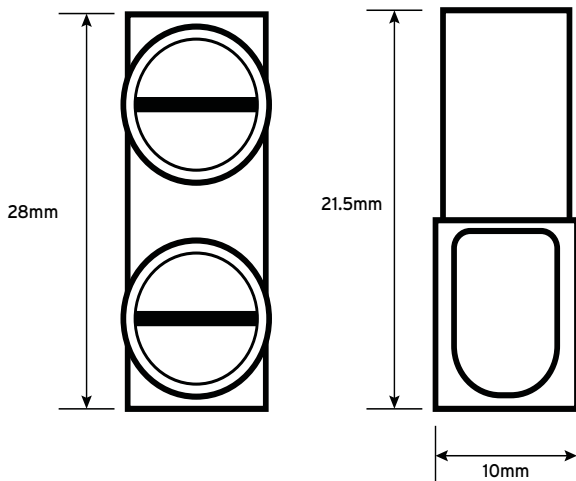
niglon

Installation Essentials



PN30 12 Way Strips Economy Range

Technical Drawing



Technical Specifications

Rated insulation voltage	450V
Rated current	30A
Maximum Cable Size	16mm ²
Minimum Cable Size	4mm ²
Screw terminals	Screw Connection
Number of poles	1 - 12
Ambient temperature	T80
Screw diameter	2.5mm
Material of insulation	PA66
Size (One way)	21.5mm High x 10mm Wide x 28mm Deep
Certification	 