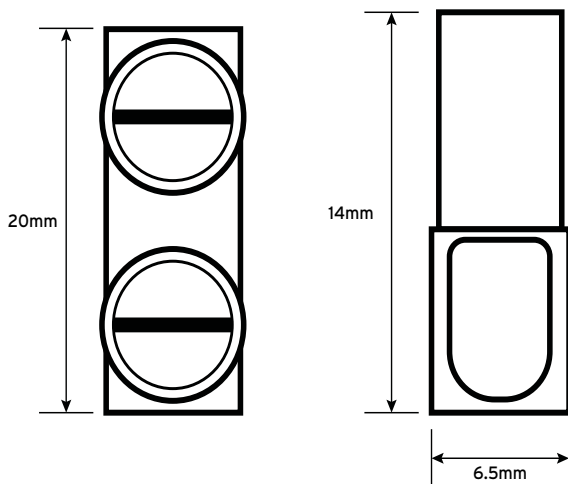




PN5 12 Way Strips Economy Range

Technical Drawing



Technical Specifications

Rated insulation voltage	450V
Rated current	5A
Maximum Cable Size	6mm ²
Minimum Cable Size	1.5mm ²
Screw terminals	Screw Connection
Number of poles	1 - 12
Ambient temperature	T80
Screw diameter	2.5mm
Material of insulation	PA66
Size (One way)	14mm High x 6.5mm Wide x 20mm Deep
Certification	