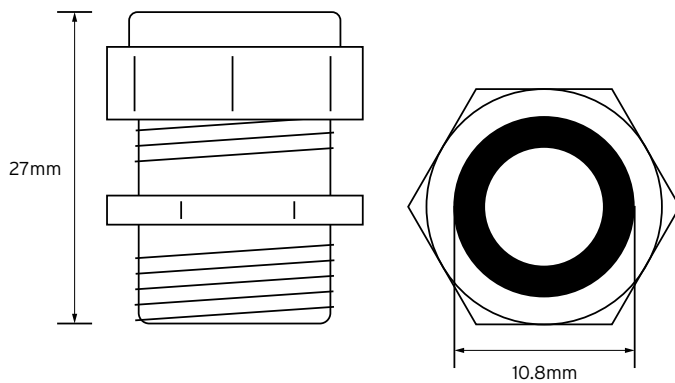


TRS16 T.R.S Stuffing Gland

Technical Drawing



Technical Specifications

Material	Brass
Size	16mm
Operating temperature	-20 C to +90 C
Standards of Compliance	BS EN 61386-1:2008, BS6121, EN60529
IP Rating	IP66
Cable Size	3-7mm DIA