

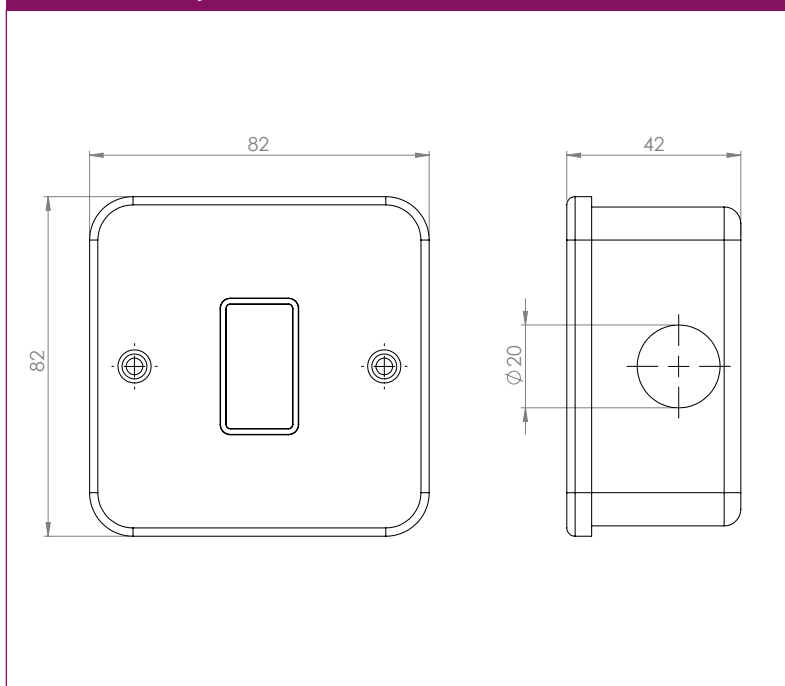
MSP20DP

20A Double Pole Switch



A comprehensive range of metal clad wiring accessories for use in the most demanding environments. Manufactured from heavy duty steel and finished in satin silver.

Technical Drawing



Technical Specifications

Material Composition:

Front Plate	Steel
Finish	Satin silver epoxy powder coating
Terminals	Brass
Knockouts	5 x 20mm
Terminal Screws	Steel & Yellow Passivated
Voltage	240V ~ 50Hz
Current Rating	20A
No. of Earths	2
Torque Value	2.0Nm
Cable Size	2x4.0mm ²
Back Box Depth	40mm
Warranty	20 years
IP Rating	IP20
Operational Temperature	-5 ° to +40 °C
Standards	BS EN 60669-1:1999 + A1:2002 + A2:2008
Mounting	Surface