

niglon

Wiring Accessories

Hurricane 6

H-WS202

2 gang 2 way

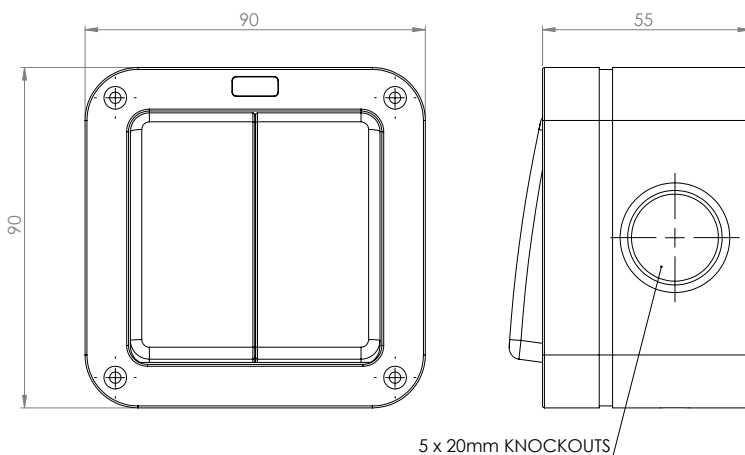
IP66 20AX Switch



Constructed from a High Impact Resistant material. Hurricane products are designed to withstand ingress from dust and water, in both indoor and outdoor applications.

10
YEAR
GUARANTEE

Technical Drawing



Technical Specifications

Material Composition	Polycarbonate UV resistant Housing
Voltage	240V ~ 50Hz
Current Rating	20AX
Torque Value	0.8Nm
Cable Size	3x2.5mm ² , 2x4.0mm ²
Knockouts	5 x 20mm Knockouts
Warranty	10 years
IP Rating	IP66
Operational Temperature	-5° to +40°C
Standards	BS EN 60669
Mounting	Surface
Dimensions	90 x 90 x 55mm (HxWxD)