

# niglon

## Wiring Accessories

### WSE101

### 1 gang 2 way

### IP55 10AX Switch

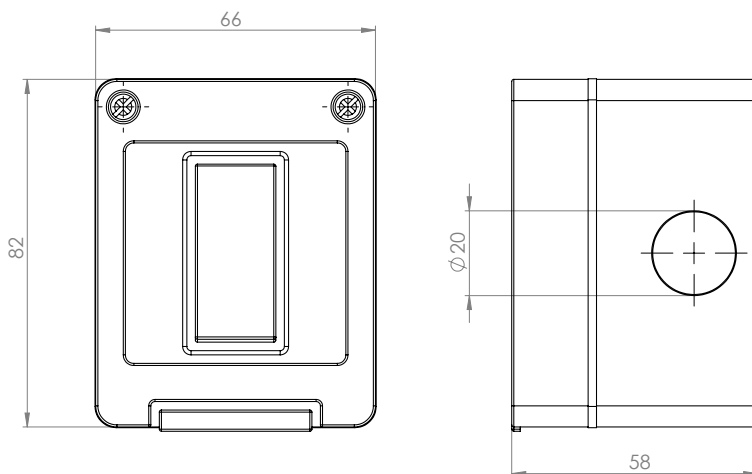
## Hurricane 6



Constructed from a High Impact Resistant material. Hurricane products are designed to withstand ingress from dust and water, in both indoor and outdoor applications.

**10**  
YEAR  
GUARANTEE

#### Technical Drawing



#### Technical Specifications

<b>Material Composition</b>	Polycarbonate UV resistant Housing
<b>Voltage</b>	240V ~ 50Hz
<b>Current Rating</b>	10AX
<b>Torque Value</b>	0.8Nm
<b>Knockouts</b>	4 x 20mm
<b>Cable Size</b>	2 x 2.5mm <sup>2</sup>
<b>Warranty</b>	10 years
<b>IP Rating</b>	IP55
<b>Operational Temperature</b>	-5° to +40°C
<b>Standards</b>	BS EN 60669
<b>Mounting</b>	Surface
<b>Dimensions</b>	82 x 66 x 58mm (HxWxD)