

niglon

Wiring Accessories

Hurricane 6

WSE102

2 gang 2 way

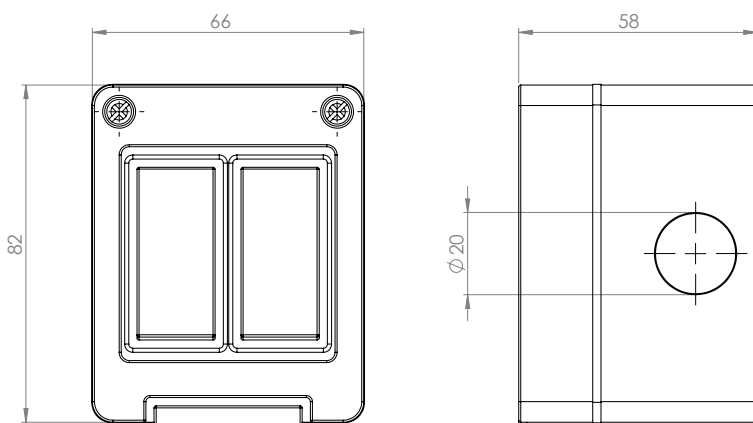
IP55 10AX Switch



Constructed from a High Impact Resistant material. Hurricane products are designed to withstand ingress from dust and water, in both indoor and outdoor applications.

10
YEAR
GUARANTEE

Technical Drawing



Technical Specifications

Material Composition	Polycarbonate UV resistant Housing
Voltage	240V ~ 50Hz
Current Rating	10AX
Torque Value	0.8Nm
Cable Size	2 x 2.5mm ²
Knockouts	4 x 20mm
Warranty	10 years
IP Rating	IP55
Operational Temperature	-5° to +40°C
Standards	BS EN 60669
Mounting	Surface
Dimensions	82 x 66 x 58mm (HxWxD)