

niGLON™

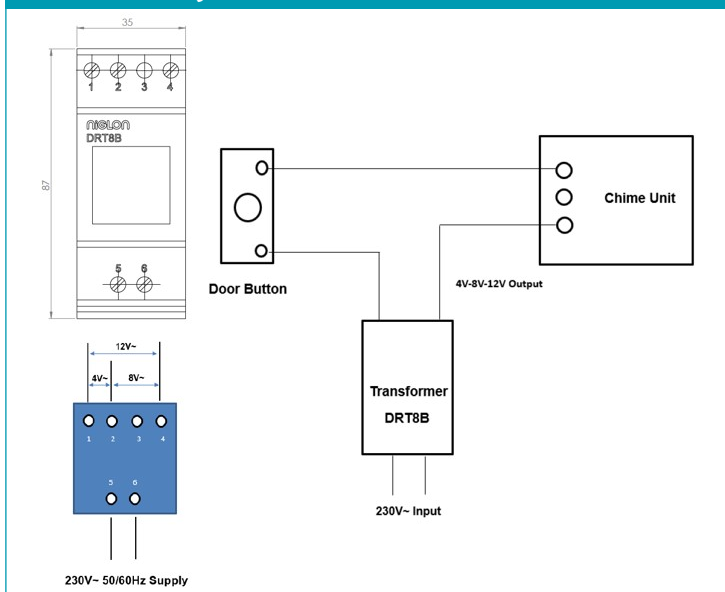
Circuit Protection

DRT8B

Bell Transformer



Technical Drawing



Technical Specifications

Rated voltage (primary)	230V/50Hz
Rated voltage (secondary)	4V, 8V, 12V
Current Rating	1.25A
Max Cable	4mm ²
Mounting	Din Rail
Standards	BS EN 61558-1
Module Width	2
Ingress Protection	IP20
Dimensions	83 H x 35 W x 50mm D