

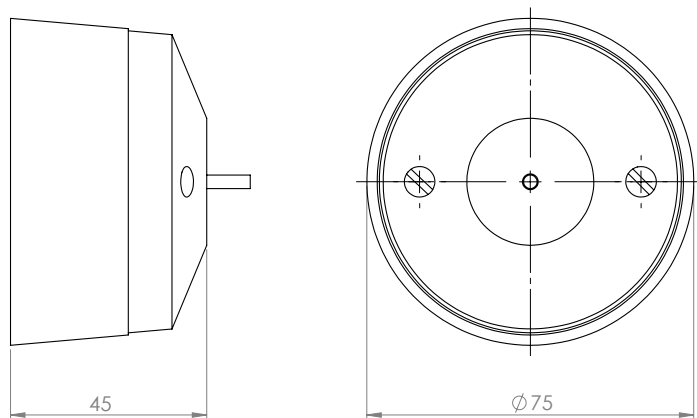
# niglon

## Wiring Accessories

# CS61 Ceiling Pull Switch 10AX 1 Way



### Technical Drawing



### Technical Specifications

<b>Base &amp; Front Plate</b>	Urea
<b>Rating</b>	10AX
<b>Suitable for</b>	Fluorescent & Inductive loads
<b>Voltage</b>	230V ~ 50/60Hz
<b>Cord Length</b>	1.5m
<b>Mounting</b>	Ceiling
<b>Standard of Compliance</b>	BS EN 60669-1
<b>Dimensions</b>	$\varnothing$ 75mm x 45mm