

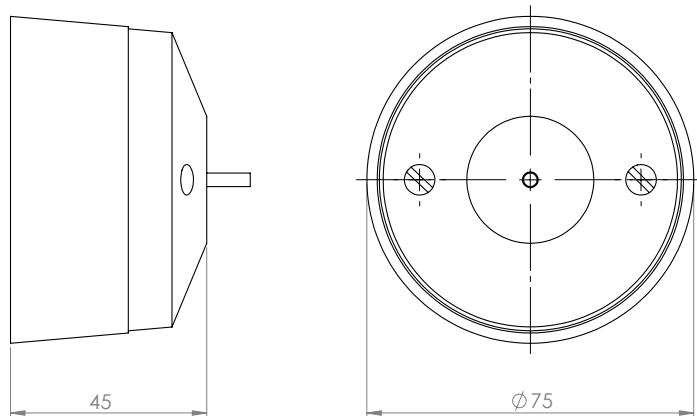
niglon

Wiring Accessories

CS62 Ceiling Pull Switch 10AX 2 Way



Technical Drawing



Technical Specifications

Base & Front Plate	Urea
Rating	10AX
Suitable for	Fluorescent & Inductive loads
Voltage	230V ~ 50/60Hz
Cord Length	1.5m
Mounting	Ceiling
Standard of Compliance	BS EN 60669-1
Dimensions	Ø 75mm x 45mm