

niglon

Wiring Accessories

METALLIC

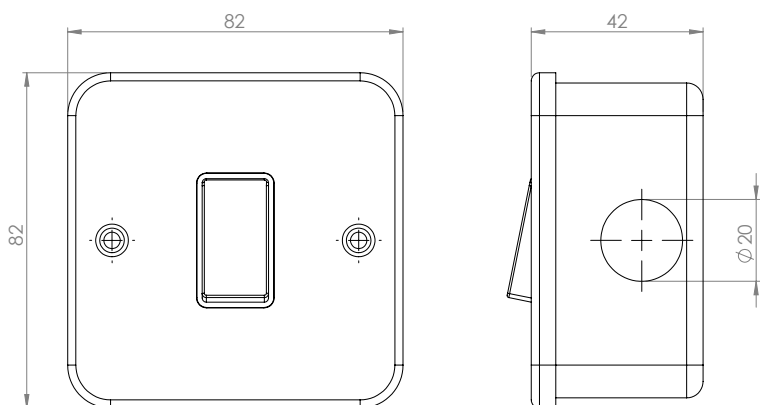
MSP612

10AX 1 gang 2 way



A comprehensive range of metal clad wiring accessories for use in the most demanding environments. Manufactured from heavy duty steel and finished in satin silver.

Technical Drawing



Technical Specifications

Material Composition:

Front Plate	Steel
Finish	Satin silver epoxy powder coating
Terminals	Brass
Internal Mechanism	Formed Press Brass Silver "on-lay" Copper / Brass Contacts
Knockouts	5 x 20mm
Terminal Screws	Steel & Yellow Passivated
Voltage	240V ~ 50Hz
Current Rating	10AX (suitable for inductive loads)
Torque Value	0.8Nm
Cable Size	4x1.5mm ² or 2x2.5mm ²
Back Box Depth	40mm
Warranty	20 years
IP Rating	IP20
Operational Temperature	-5 ° to +40 °C
Standards	BS 1363
Mounting	Surface