

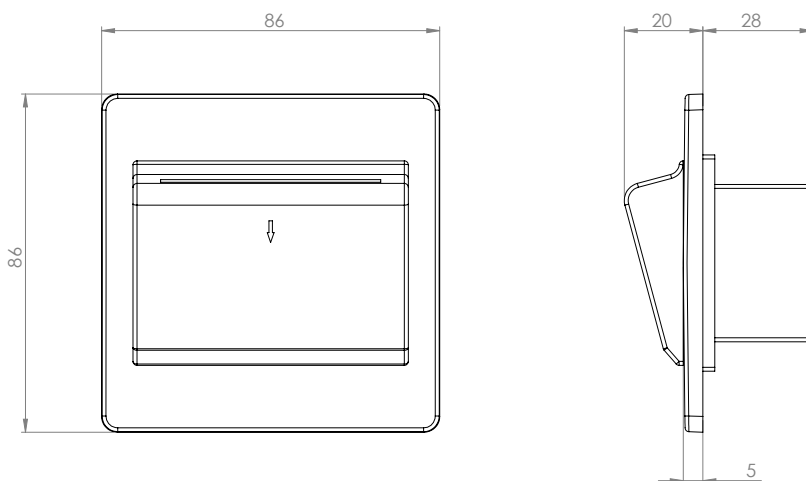
P-SP6KEY10

10A Key Card Switch



A modern range of ultra-slim, smooth-edged, moulded wiring accessories-manufactured in a bright white Urea.

Technical Drawing



Technical Specifications

Material Composition:

Front Plate	Urea
Rear Housing	Nylon
Terminals	Steel
Terminal Screws	Steel
Voltage	240V ~ 50Hz
Current Rating	10A (6AX)
Torque Value	0.5Nm
Actuator	Standard Keycard
Cable Size	2 x 1.5mm ²
Back Box Depth	35mm - 47mm
Warranty	2 Years
IP Rating	IP20
Operational Temperature	-5 ° to +40 °C
Standards	BS EN 60669-1-2