

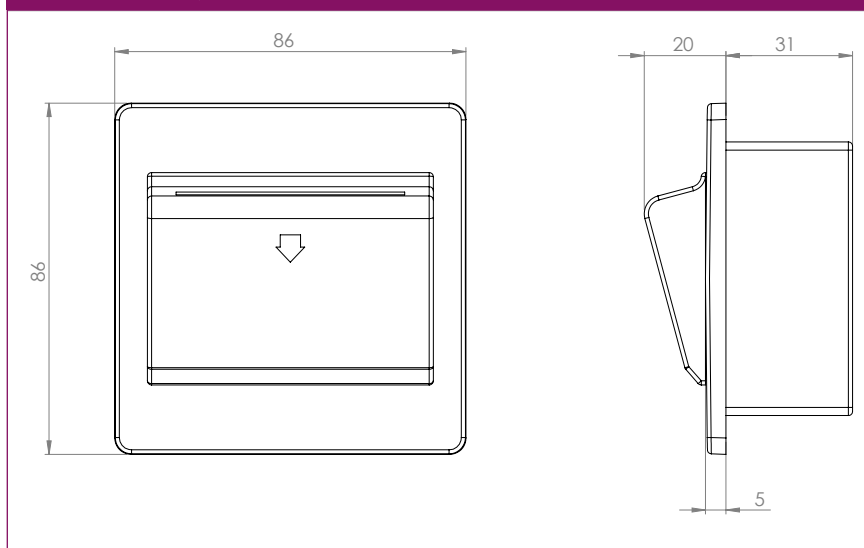
P-SP6KEY32

32A Key Card Switch



A modern range of ultra-slim, smooth-edged, moulded wiring accessories-manufactured in a bright white Urea.

Technical Drawing



Technical Specifications

Material Composition:

Front Plate	Urea
Rear Housing	Nylon
Terminals	Brass
Earth Strap	Mild Steel
Terminal Screws	Steel & Yellow Passivated
Voltage	240V ~ 50Hz
Current Rating	32A
Torque Value	1.2Nm
Actuator	Standard Keycard
Cable Size	L + N = 1x10mm ² , E = 1x6mm ²
Back Box Depth	47mm
Warranty	2 Years
IP Rating	IP20
Operational Temperature	-5 ° to +40 °C
Standards	BS EN 60669-1-2