

niglon

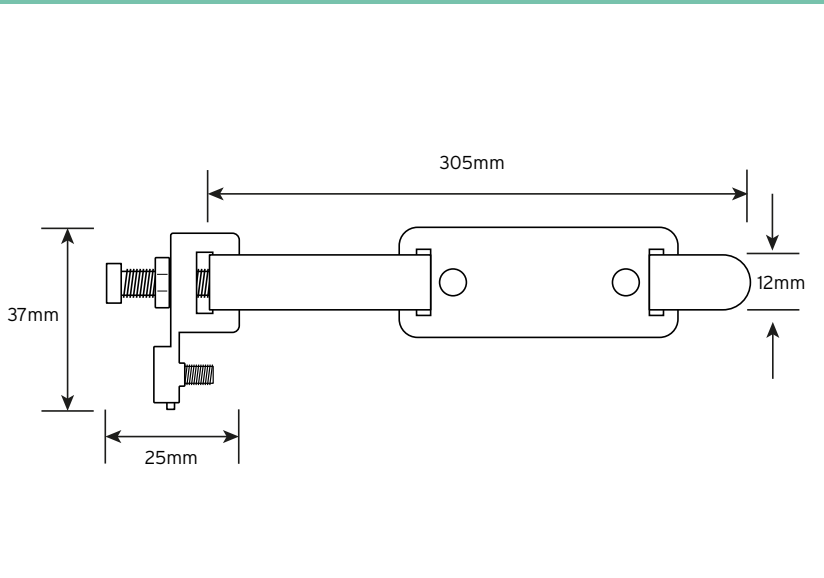
Earthing

AEC4/3

Dry Condition Clamps



Technical Drawing



Technical Specifications

Pipe Diameter	50-75mm
Maximum Conductor	A-D 1 x 10mm ²
Standard of Compliance	BS 951
Clamp Dimension	25 x 37 x 13mm (H x W x D)
Strap Dimension	12 x 305mm (W x L)