

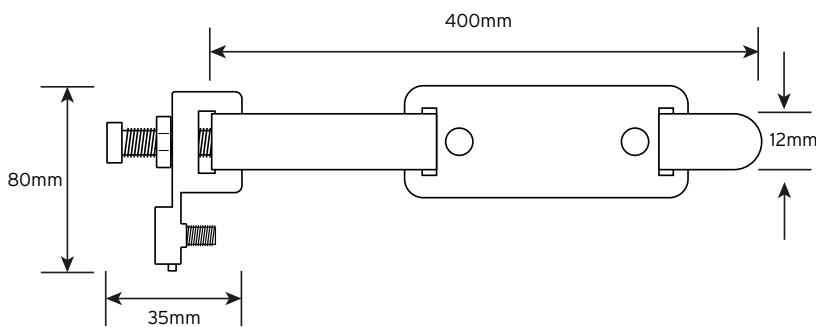
# niglon

## Earthing

# AEC5/4 Heavy Duty Clamps Dry Conditions



### Technical Drawing



### Technical Specifications

<b>Pipe Diameter</b>	38-100mm
<b>Maximum Conductor</b>	F-H 1 x 75mm <sup>2</sup>
<b>Standard of Compliance</b>	BS 951
<b>Clamp Dimension</b>	35 x 80mm (H x W)
<b>Strap Dimension</b>	12 x 400mm (W x L)
<b>Material:</b>	
<b>Screws</b>	Galvanized Steel
<b>Thrust Piece and Clamping Lug</b>	Nickle Plated Brass
<b>Strap</b>	Bronze Strap, Nickle Plated