

# niglon

## Earthing

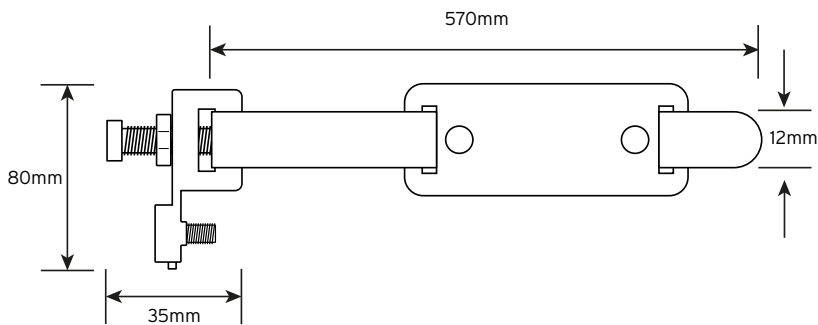
# AEC5/6

## Heavy Duty Clamps

### Dry Conditions



#### Technical Drawing



#### Technical Specifications

<b>Pipe Diameter</b>	100-150mm
<b>Maximum Conductor</b>	F-H 1 x 75mm <sup>2</sup>
<b>Standard of Compliance</b>	BS 951
<b>Clamp Dimension</b>	35 x 80mm (H x W)
<b>Strap Dimension</b>	12 x 570mm (W x L)
<b>Material:</b>	
<b>Screws</b>	Galvanized Steel
<b>Thrust Piece and Clamping Lug</b>	Nickle Plated Brass
<b>Strap</b>	Bronze Strap, Nickle Plated