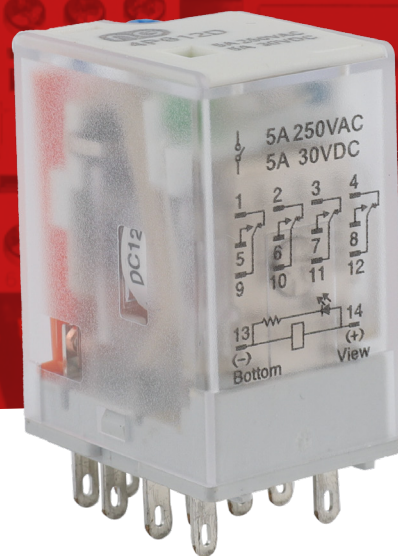


## RELAYS

### 4PCO MINIATURE RELAY 14 PIN RELAY

4P612D, 4P624D, 4P624, 4P6120, 4P6230



14 pin miniature relay with 4 changeover contacts. Universal fitting by plugging into a din rail mounting socket. LED indication when the coil is energised. Test button is colour coded - red for AC coil, blue for DC coil. Test button activates the contacts, and can be locked in position for testing. Flag indicator shows the contacts have changed.

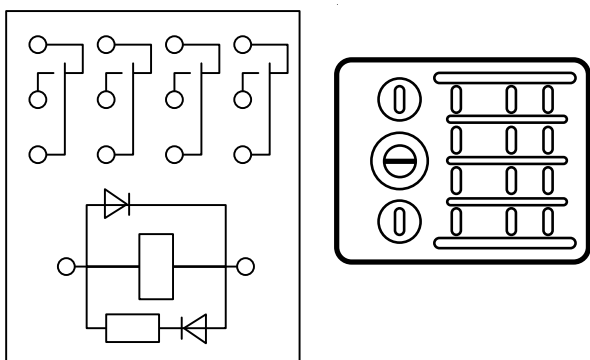
#### General Characteristics

|                                 |                    |
|---------------------------------|--------------------|
| Number and Type of Contacts     | 4 CO               |
| Contact Material                | AgSnO <sub>2</sub> |
| Rated Switching Voltage         | 250V AC            |
| Minimum Switching Voltage       | 10 V               |
| Rated Load AC1                  | 5A                 |
| Minimum Switching Current       | 5mA                |
| Rated DC Coil Power Consumption | 900mW              |
| Rated AC Coil Power Consumption | 1.2VA              |
| Electrical Life                 | 10 000 ops         |
| Mechanical Life                 | 1 000 000 ops      |
| Dimensions                      | 28x21.3x35.2mm     |
| Weight                          | 37g                |
| Operating Temperature           | -40°C to +55°C     |
| Cover Ingress Protection        | IP40               |

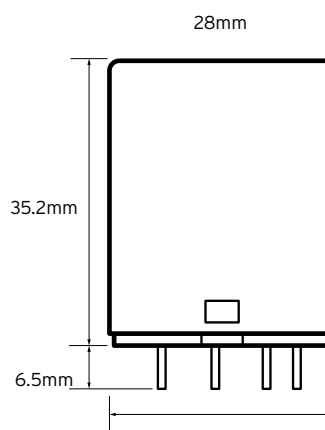
#### Available Accessories

|                                 |           |
|---------------------------------|-----------|
| Din Rail Mounting Socket 2 tier | 14PSOCK2T |
| Din Rail Mounting Socket 3 tier | 14PSOCK3T |

#### Wiring Diagram



#### Technical Drawing



#### Additional Information

This product is for use by skilled persons or instructed persons. The installation of this product must comply with current IEE regulations. Terminals, including those factory fitted, must be checked for correct tightness before commissioning. All terminals should be periodically checked for correct tightness. The data herein serves only to describe the product and should not be regarded as representing guaranteed properties in the legal sense. We reserve the rights of modification, whilst every care has been taken in ensuring the accuracy of this catalogue, the Supplier accepts no liability whatsoever for any eventuality arising from errors or omissions within its catalogues, brochures or within any online presence.