

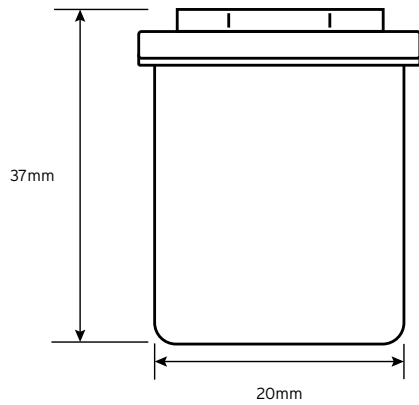
# niglon

Cable Management

## FCS20G Flange Couplers



### Technical Drawing



### Technical Specifications

<b>Standards</b>	BS EN 61386-1:2008
<b>Finish</b>	BZP
<b>Material</b>	Steel
<b>Nominal Size</b>	20mm
<b>Overall length</b>	37mm
<b>Extra</b>	Complete with BESA bush and lead washer