

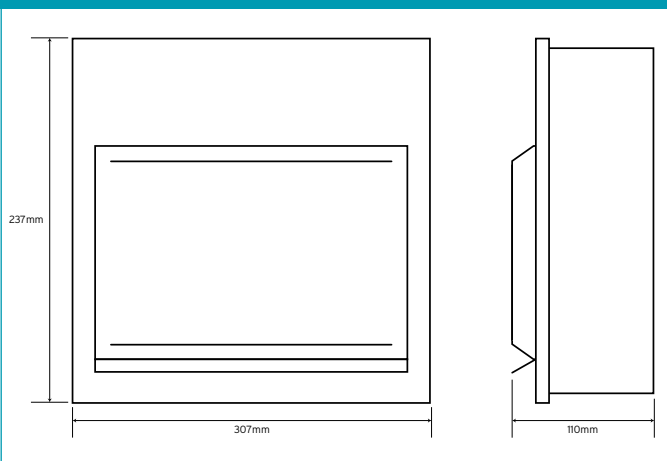
niGLON

Circuit Protection

M3CU14 Isolator Controlled Consumer Unit- Left Hand Incomer



Technical Drawing



Technical Specifications

Material Composition	Steel (Powder Coated)
Paint Colour	RAL 9010
Configurations	14 Module 12 Free Ways 100A DP Isolator
Rated Operational Voltage (Un/Ue)	230V AC
Rated Current of Assembly (InA)	100A
Rated Frequency	50Hz
Main Switch Terminal Capacity	35mm ²
IP Rating (Ingress Protection)	IP20
IK Rating (Impact Protection)	IK05
Dimensions	237 (H) x 307 (W) x 110mm (D)
Standards	BS7671:2018, BS EN61439-3
100A Mains Isolator Manufactured to	EN60947:3
Certification	Semko, CE, UKCA

All specifications are SEMKO Certified