

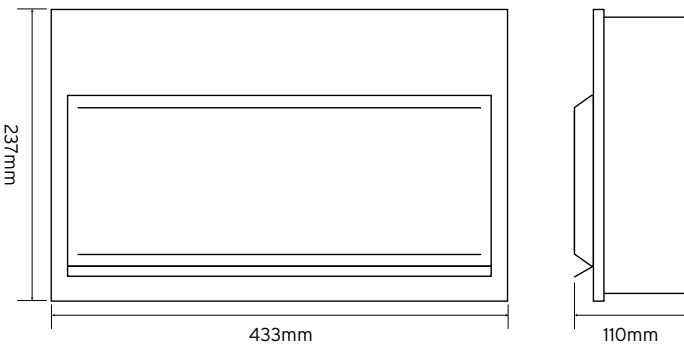
nigLON

Circuit Protection

M3CU21SP Isolator Controlled (SPD inc.)



Technical Drawing



Technical Specifications

Material Composition	Steel (Powder Coated)
Paint Colour	RAL 9010
Configurations	21 module 17 way 100A DP Isolator + SPD
Rated Operational Voltage (Un/Ue)	230V AC
Rated Current of Assembly (InA)	100A
Rated Frequency	50Hz
Max. Incoming Cable Size	35mm ²
Surge Protection Device	Type 2 (or 3) 15kA : BS EN 61643-11
Miniature Circuit Breaker (MCB)	Manufactured to BS EN 60898
IK Rating (Impact Protection)	IK05
IP Rating (Ingress Protection)	IP20
Standards	BS7671:2018, BS EN61439-3
Certification	Semko, Kema Keur, CSA, UR, EAC, CE, UKCA, Intertek
Dimensions	433mm W x 237mm H x 110mm D

All specifications are Intertek Certified
Surge protection device included 15kA I_{max}