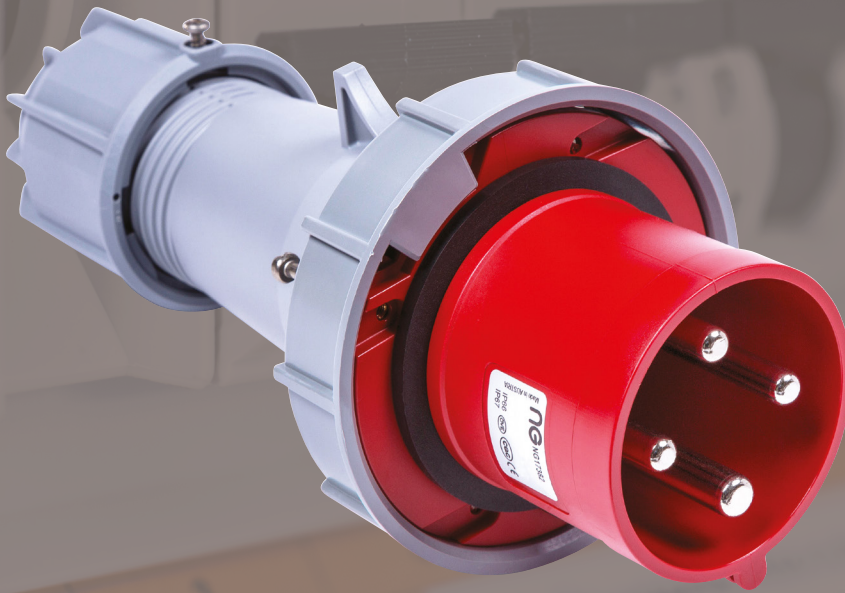


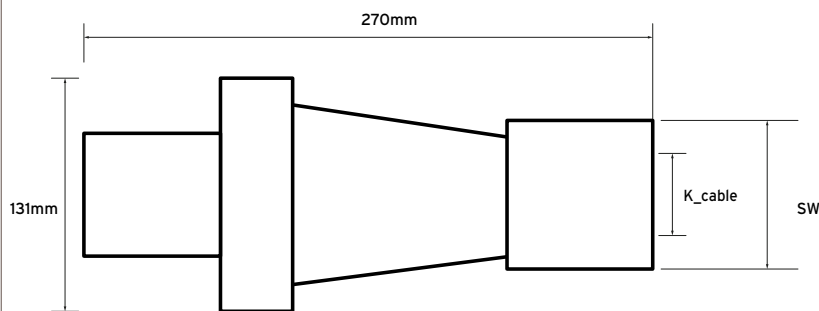
# niGLON

Industrial Accessories

## 17394 In-line plug



### Technical Drawing



### Technical Specifications

Voltage	415V
Amps	125A
Poles	3P+E
K <sub>cable</sub> Ø	22.5 - 50 mm
Contact Screws	450Ncm
Wire Flexible	16-50mm <sup>2</sup>
SW	81mm
IP Rating	IP66/67
Weight	1064g
Dimensions	270x131mm