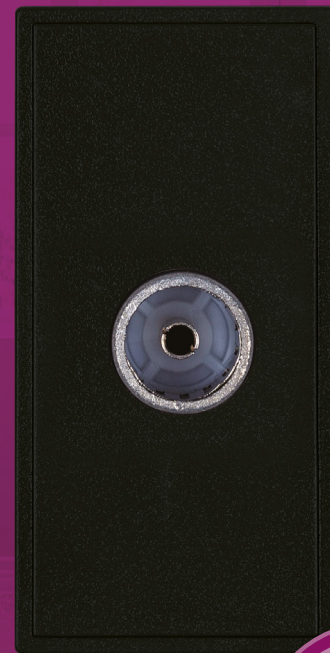
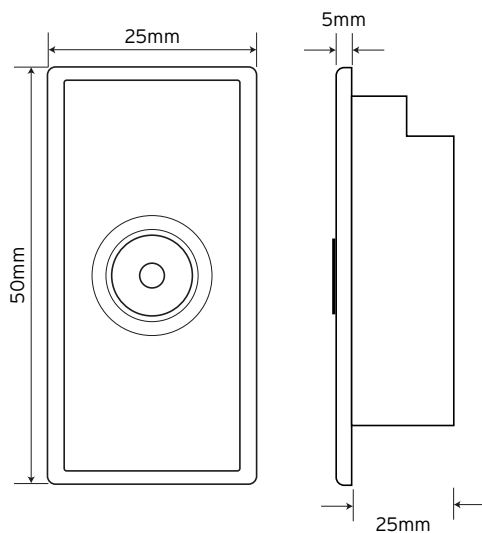


M-012 TV & Radio outlet male



20
YEAR
GUARANTEE

Technical Drawing



Technical Specifications

Front Plate	Module : Polycarbonate
Connection Type	Screw terminal with shielded cage
Back Box Depth	25 - 47mm (Dependant on Mounting Plate Used)
Module Size	Single Width (25x50mm)
IP Rating	IP20
Operational Temperature	-5° to + 40° c
Standards	BS 3041-7:1996 BS 5733:1995