

niglon

Wiring Accessories

EURO
MEDIA

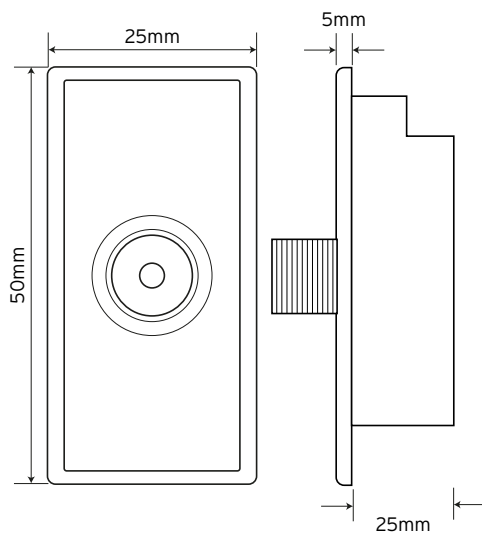
M-013-W

Satellite "F" connector



20
YEAR
GUARANTEE

Technical Drawing



Technical Specifications

| | |
|--------------------------------|-----------------------------------------------|
| Material Composition | Module : Polycarbonate |
| Connection Type | F-Type Satellite Socket |
| Back Box Depth | 25 - 47mm (Dependant on Mounting Plate Used) |
| Module Size | Single Width (25x50mm) |
| IP Rating | IP20 |
| Operational Temperature | -5° to + 40° c |
| Standards | BS 3041-7:1996 BS 5733:1995 EN50083-2 |
| Shielded/Screened | Yes |