

nigLON

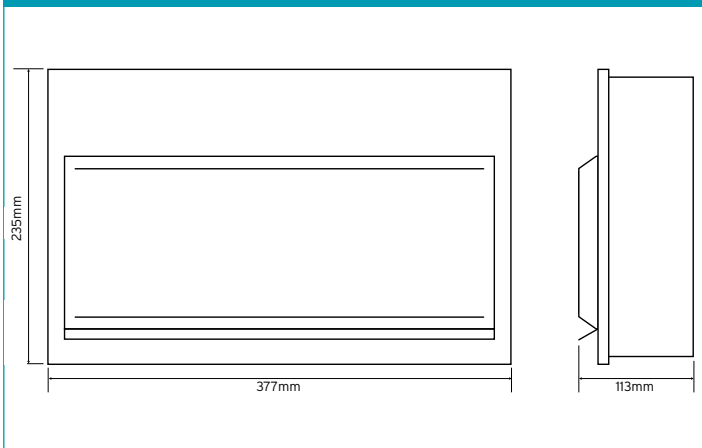
Circuit Protection

M3CU18S/A280

Dual RCD Controlled-Split Load



Technical Drawing



Technical Specifications

Material Composition	Steel (Powder Coated)
Paint Colour	RAL 9010
Configurations	6+6 100A Incomer, 2 x 80A 30mA RCDs
Standards	BS7671, BS EN 61439-3
100A Mains Incomer	BS EN 60947-3
Residual Current Devices(RCDs)	80A-30mA (x2) : BS EN 61008-1
No. available ways	6+6
Certification	Intertek, Semko, VDE, CE, UKCA
Rated Frequency (fn)	50Hz
IP Rating (Ingress Protection)	IP20
IK Rating (Impact Protection)	IK05
Maximum Incoming Cable Size	35mm ²
Dimensions	235 (H) x 377 (W) x 113mm (D)
Rated Operational Voltage (Un/Ue)	230V AC
Rated Current of Assembly (InA)	100A
Rated Frequency	50Hz
IP Rating (Ingress Protection)	IP20
IK Rating (Impact Protection)	IK05
RCD Type	Type "A"