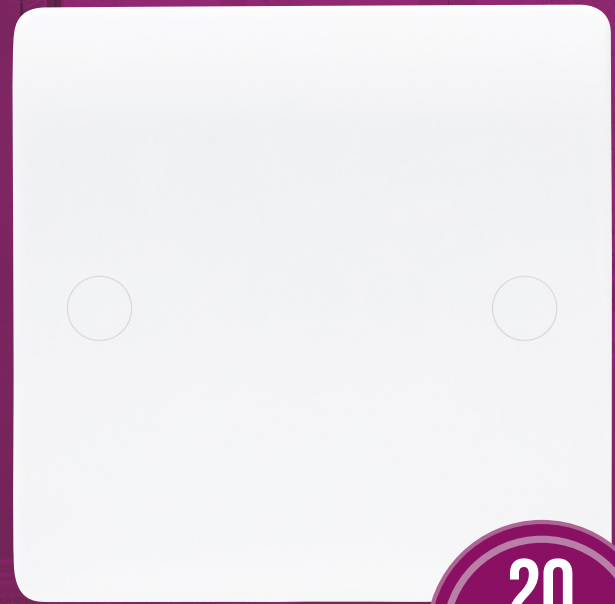


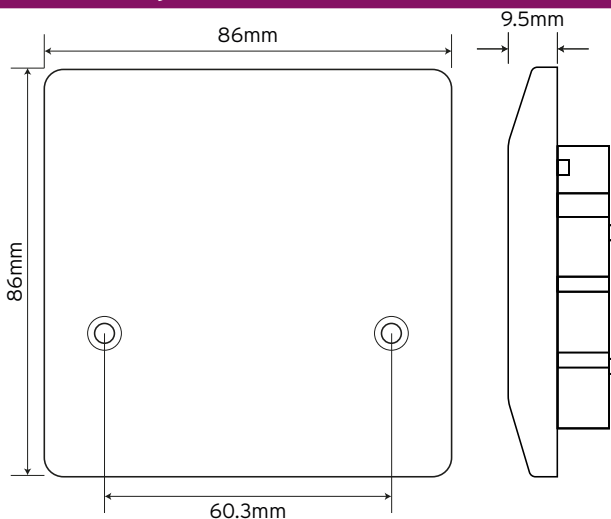
NCU45 45A Flex Outlet



**20
YEAR
GUARANTEE**

A new take on traditional moulded wiring accessories manufactured in bright white Urea.

Technical Drawing



Technical Specifications

Material Composition	Front Plate: Urea Earthing Yoke: Mild Steel Terminal Housing: Urea Terminals: Brass Terminal Screws: Steel & Yellow Passivated
Voltage	240V~ 50Hz
Current Rating	45A
Terminal Size	4.6mm Entry
Torque Value	0.8Nm
Terminal Capacity	2 x 10mm ²
Flex Outlet	Yes (20mm x 21mm)
IP Rating	IP20
Back Box Depth	35-47mm deep
Operational Temperature	-5° to +40° C
Standards	BS 5733: 2010
Dimensions	86x86x9.5mm (HxWxD)